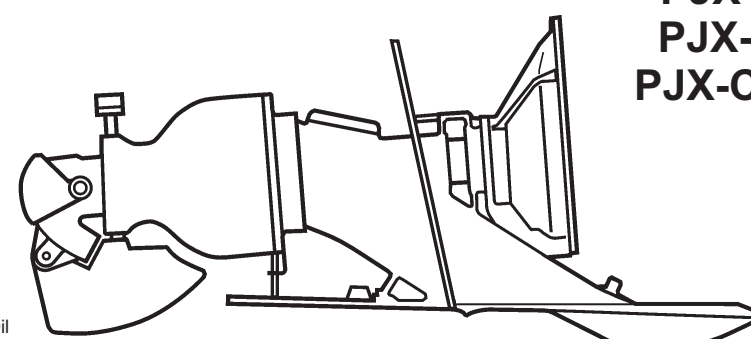


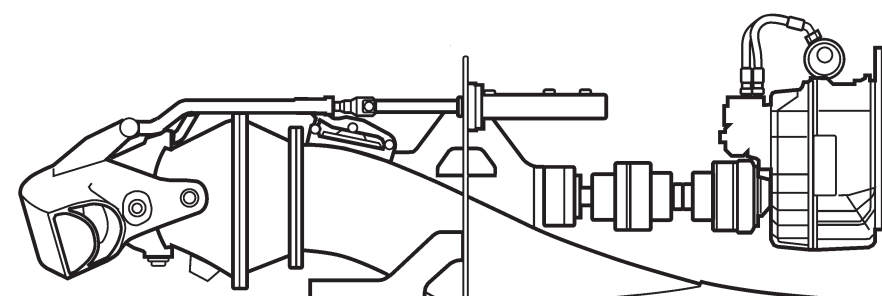
**PJX-S
PJX-C
PJX-C1**



Oil:
Synthetic Gear Oil
API GL-5 SAE 75W-90
Qty: 2.6 liters (2.74 US qts)

Ratio:
1:1

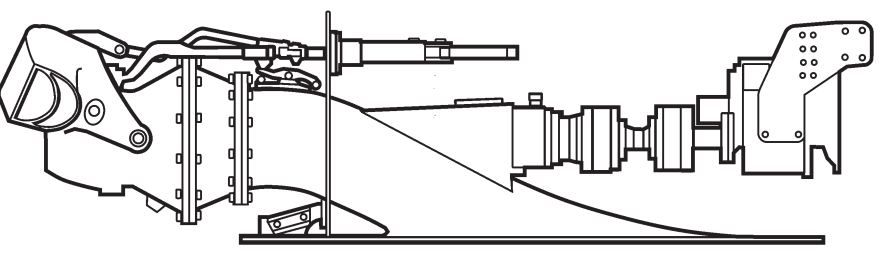
K22
Reverse gear: ZF HSW630HE



Grease in bearing housing:
Bearing grease NLGI 2.5

Ratio:
1.52:1

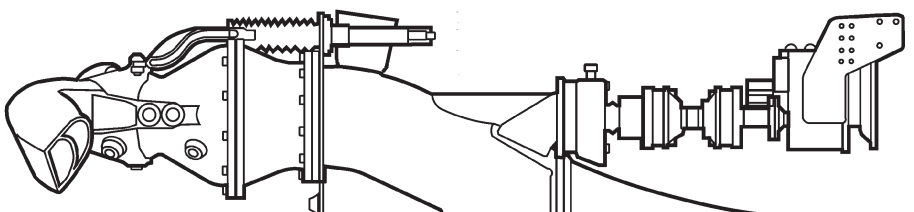
K25
Reverse gear: ZF 220-EB



Grease in bearing housing:
Bearing grease NLGI 2.5

Ratio:
1.12:1

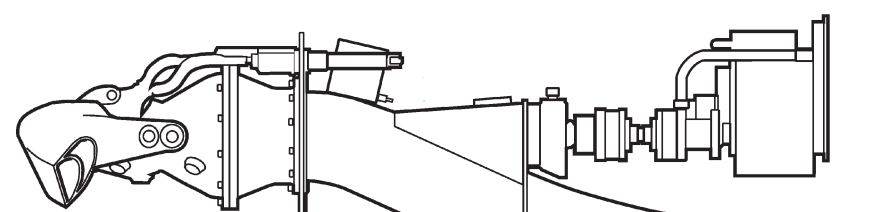
K28
Reverse gears: ZF 220-EB
MG 5085SC-E



Oil in bearing housing:
Same as engine
Qty: 0.5 liters (0.53 US qts)

Ratio:
1.22:1
1.40:1

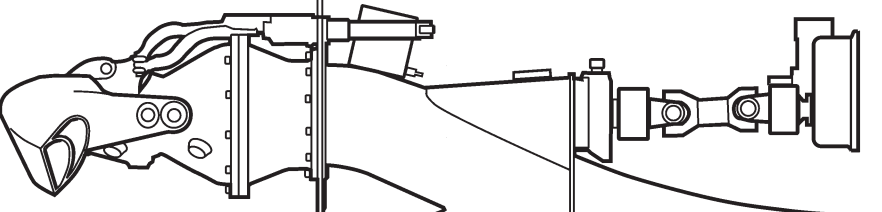
K32
Reverse gears: ZF 325-PL
MG 5085SC-E



Oil in bearing housing:
Same as engine
Qty: 1.3 liters (1.37 US qts)

Ratio:
1.50:1
1.68:1

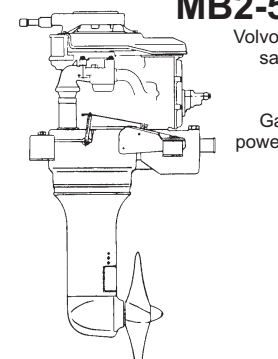
K36
Reverse gear: ZF 325-PL



Oil in bearing housing:
Same as engine
Qty: 2.0 liters (2.11 US qts)

Ratio:
1.46:1

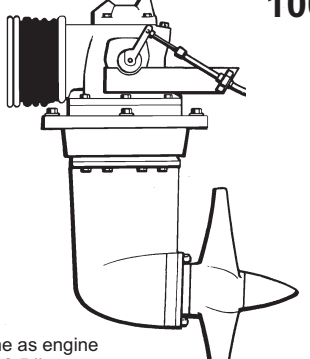
MB2-50S
Volvo Penta sail drive with Honda Gasoline power head



Oil:
API GL-5, SAE 90
Qty: .025 liters (.264 US qts)

Ratio:
2.83:1

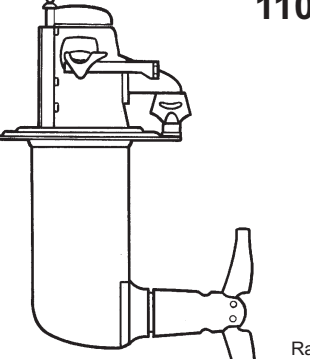
100S



Oil:
Same as engine
Qty: 2.5 liters (2.64 US qts)

Ratio:
1.66:1

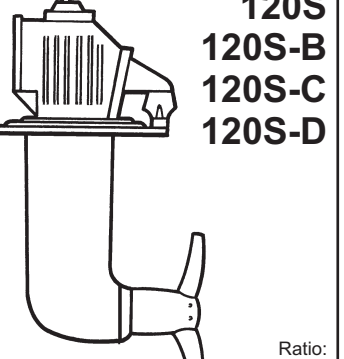
110S



Oil:
Same as engine
Qty: 1.8 liters (1.9 US qts.)

Ratio:
1.66:1
2.15:1

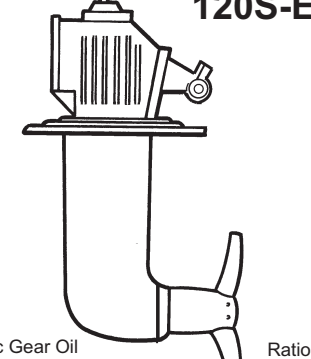
**120S
120S-B
120S-C
120S-D**



Oil:
Same as engine
Qty: 2.6 liters (2.74 US qts.)

Ratio:
1.66:1
2.15:1

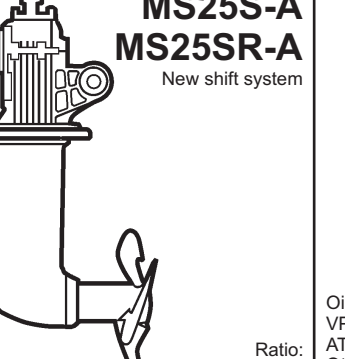
120S-E



Oil:
Synthetic Gear Oil
API GL-5 SAE 75W-90
Qty: 2.6 liters (2.74 US qts.)

Ratio:
2.20:1
2.50:1

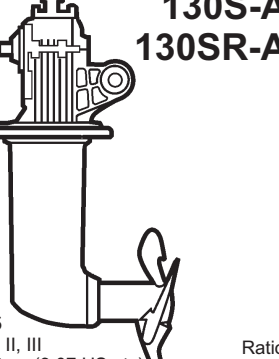
**MS25S-A
MS25SR-A**
New shift system



Oil:
Same as engine
Qty: 2 liters (2.1 US qts.)

Ratio:
2.19:1
2.47:1

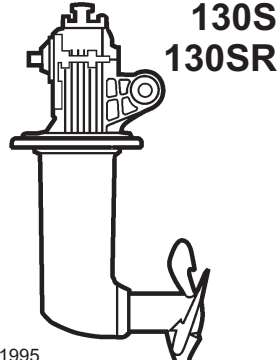
**130S-A
130SR-A**



Oil:
VP 1161995
ATF Dexron II, III
Qty: *2.91 liters (3.07 US qts)
3.01 liters (3.1 US qts)

Ratio:
*2.19:1
2.47:1

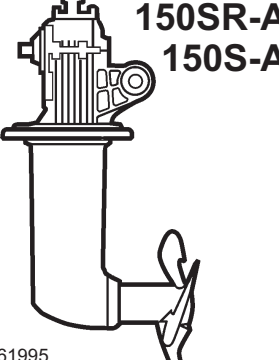
**130S-B
130SR-B**



Oil:
VP 1161995
ATF Dexron II, III
Qty: 2.91 liters (3.07 US qts)

Ratio:
2.19:1

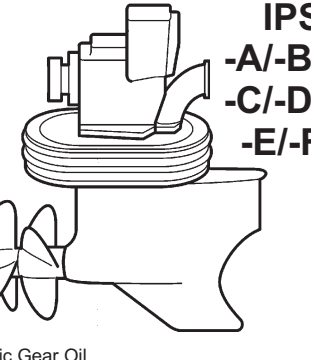
**150SR-A/-B
150S-A/-B**



Oil:
VP 1161995
ATF Dexron II, III
Qty: 3.01 liters (3.1 US qts)

Ratio:
2.19:1

**IPS
-A/-B/
-C/-D/
-E/-F**



Oil:
Synthetic Gear Oil
API GL-5 SAE 75W-90
Qty: 14 liters (14.7 US qts.)

Ratio:
1.94:1

Type of oil/grease	Grade	Viscosity	Quantity	Part no.	Quantity US	Part no. US
Gear oil	API GL-5	SAE 90	1 liter	1141637-7	1 US qt	3855834-2
Gear oil	API GL-5	SAE 90	5 liter	1141638-5	1 US gal	3855836-7
Gear oil	API GL-5	SAE 90	20 liter	1141639-3	Not available	Not available
Synthetic Gear Oil	API GL-5	SAE 75W-90	1 liter	1141634-4	1 US qt	3851128-3
Synthetic Gear Oil	API GL-5	SAE 75W-90	5 liter	1141635-1	1 US gal	3851129-1
Synthetic Gear Oil	API GL-5	SAE 75W-90	20 liter	1141636-9	5 US gal	3851133-3
Synthetic Gear Oil	API GL-5	SAE 75W-140	1 liter	1141666-6	0.26 US gal	1141666-6
Synthetic Gear Oil	API GL-5	SAE 75W-140	5 liter	1141667-4	1.30 US gal	1141667-4
Synthetic Gear Oil	API GL-5	SAE 75W-140	20 liter	1141668-2	5.30 US gal	1141668-2
Bearing grease, Water Jet Grease		NLGI 2.5	400 g	1161251-2	14.1 oz	1161251-2
		NLGI 2	27 g	828250-1	0.95 oz	828250-1
Propeller shaft grease		NLGI 4	500 g	1141644-3	17.6 oz	828250-1