

VOLVO PENTA

Volvo Penta of the Americas
1300 Volvo Penta Drive
Chesapeake, Virginia 23320-9810

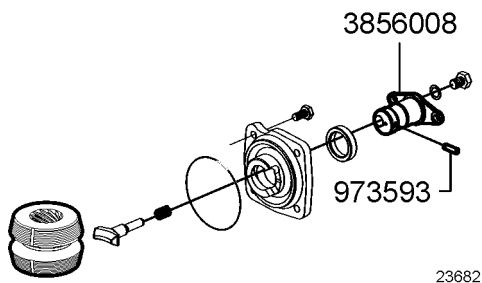
Parts Bulletin

Group	Number	Version
P-44-1	7	01

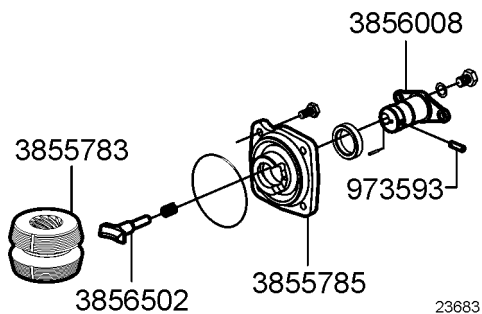
Shift mechanism, eccentric piston

Models: Sterndrives, Saildrives, Inboards

Distribution: Parts Date: March 2005 (original 1998) Replaces: VPA 64-911, VPS 48-38



Eccentric piston 897816 is replaced by improved eccentric piston 3856008 and pin 973593. When repairing earlier drives or transmissions you must use pin 973593 with eccentric 3856008, do not use the pin originally installed in 897816 and shown in the catalogs.



The improved eccentric and pin were part of a group of new parts released to improve shifting. The new parts are shown in the diagram.

Also see Parts Bulletin P-44-1-8.

These new shift parts are used on recent production of earlier drives and transmissions produced for parts sales. During disassembly or repair of these earlier products look for these newer parts in the shift mechanism, the part number is stamped on 3855783 and 3855785. If they are present use the parts above when ordering replacement parts.