

VOLVO PENTA

Volvo Penta of the Americas
 1300 Volvo Penta Drive
 Chesapeake, Virginia 23320-9810

Parts Bulletin

Group	Number	Version
P-44-1	5	02

U-joints

Models: 270, 275, 280, 290, SP, DP, DPX, SX, DP-S

Distribution: Parts Date: March 2005 Binder: Parts Replaces: P-44-1-5-01

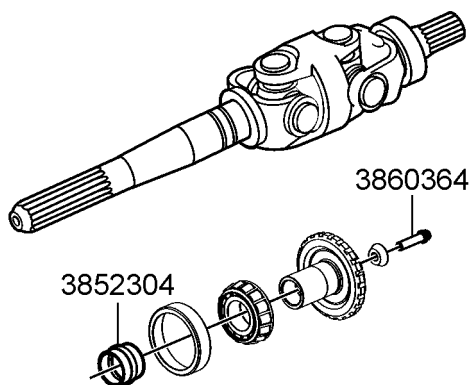
New u-joints were introduced in 2000 on all drive assemblies. This includes new production of earlier drives sold for service parts.

The part numbers are stamped on the u-joints. The new u-joints are only sold as kits, as follows;

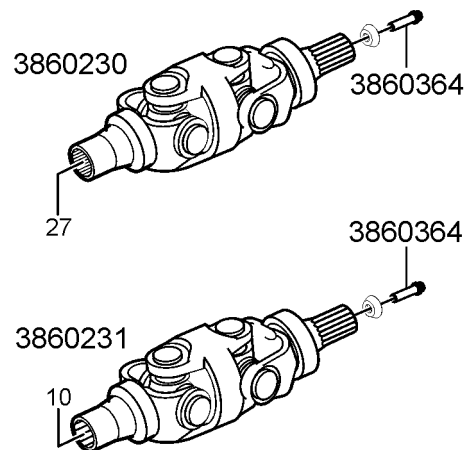
U-joints

Drive	P/N on u-joint	P/N to order	also includes	
SX, DP-S XDP	3855714	3860842	3860364	screw
			3852304	crush sleeve
290, SP, DP, DPX 27 spline	3860224	3860230	3860364	screw
270-290, SP, DP 10 spline	3860226	3860231	3860364	screw

3860842

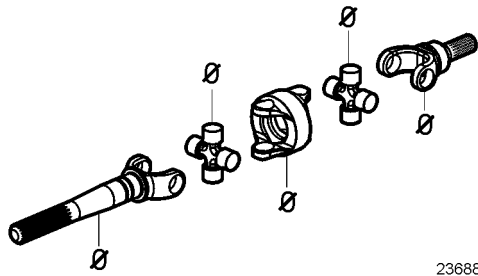


23653



23654

Note! the new u-joints are secured to the drive with a new attaching screw, p/n 3860364. This screw is included in the u-joint kit. It is critical that the new screw is used to attach the new u-joint. The earlier screw is slightly shorter and does not properly secure the u-joint.

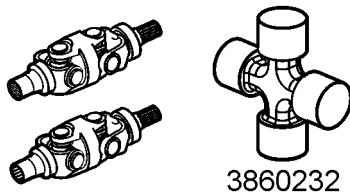


23688

No service parts are offered for the new SX/DP-S/XDP u-joint.

Note! when the forks, center piece or spiders are worn or damaged the u-joint has been compromised. The entire unit should be replaced.

The service parts listed in the earlier Parts Catalogs will not work with these u-joints.



23689

Spiders are offered for service parts for u-joints 3860224 and 3860226. The spider part number is 3860232. These spiders will **not** work on the SX/DP-S/XDP u-joint.